

BEARINGS AND SEALS – MODEL F SHAFT MOUNTED SPEED REDUCERS

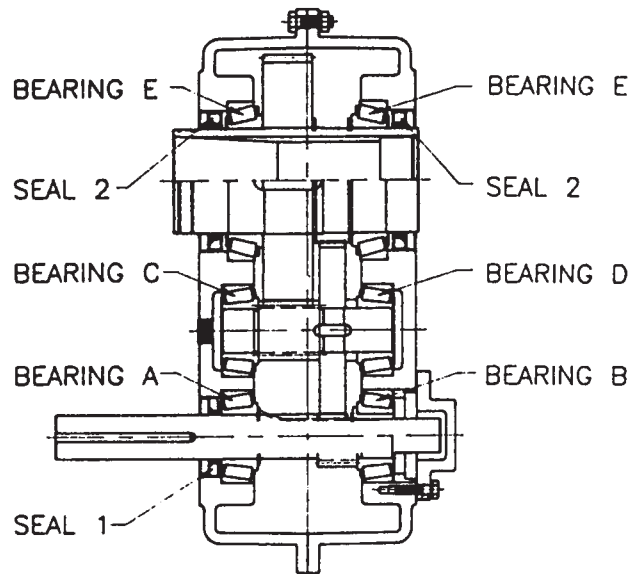


TABLE 8

UNIT SIZE	SINGLE BEARINGS		DOUBLE BEARINGS				SEALS		
	A	B	A	B	C	D	E	1	2
107	L44643/ L44610	M12649/ M12610	L44643/ L44610	M12649/ M12610	M12649/ M12610	L44643/ L44610	JLM506849/ JLM506810	471570	472015
115	32006X	32006X	32006X	32006X	32006X	L44649/ L44610	L812148/ L812111	471224	415302
203	2580/ 2520	2580/ 2520	2580/ 2520	2580/ 2520	2580/ 2520	2580/ 2520	JLM714149/ JLM714110	471737	416654
207	23691/ 23620	23691/ 23620	25880/ 25821	25880/ 25821	HM88542/ HM88510	HM88542/ HM88510	JM716649/ JM716610	473016 [□] 473214 [□]	415085
215	33109	33109	33109	33109	33208	33208	JM720249/ JM720210	472179	417506
307	3780/ 3720	45285/ 45220	3780/ 3720	45285/ 45220	45285/ 45220	3780/ 3720	JM822049/ JM822010	473241	417520
315	33212	33212	462/ 454	462/ 454	JH307749/ JH307110	JH307749/ JH307710	48290/ 48220	411376	417541
407	-----	-----	39585/ 39520	HM212044/ HM212011	HM212044/ HM212011	39585/ 39520	48685/ 48620	411245	417555
415	-----	-----	HM212047/ HM212011	HM212047/ HM212011	5584/ 5535	HM212047/ HM212011	46790/ 46720	411245	416229

ALL BEARINGS ARE TIMKEN (BEARINGS 1981Y72)

ALL SEALS ARE DOUBLE LIP, NATIONAL NUMBERS (SEALS 319Y72)

□ DOUBLE REDUCTION UNIT; □ SINGLE REDUCTION UNIT

FOR SIZES 507F AND 608F – PLEASE CONSULT FACTORY